

# Wall Mount Swing Rack Installation Instructions

## 1. General

- 1.1 These instructions detail the recommended installation procedures for assembling OCC's Wall Mount Swing Rack.

## 2. Products

- 2.1 The following products are covered by these installation instructions:

SR212	Wall Mount Swing Rack (2'H x 12"D)
SR218	Wall Mount Swing Rack (2'H x 18"D)
SR225	Wall Mount Swing Rack (2'H x 25"D)
SR312	Wall Mount Swing Rack (3'H x 12"D)
SR318	Wall Mount Swing Rack (3'H x 18"D)
SR325	Wall Mount Swing Rack (3'H x 25"D)
SR412	Wall Mount Swing Rack (4'H x 12"D)
SR418	Wall Mount Swing Rack (4'H x 18"D)
SR425	Wall Mount Swing Rack (4'H x 25"D)

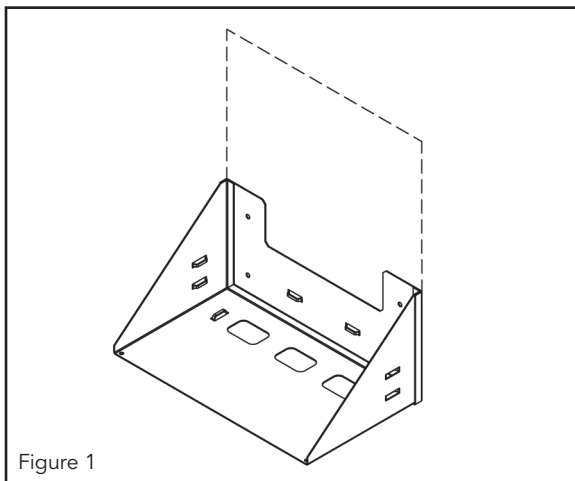
## 3. Parts

- 3.1 The following parts are included in this package:

2	Wall support brackets (12"-25"D)
1	Open frame wall mount rack
4	Thumbscrews
4	Flat washers
1 bag	#12-24 Pilot point combo head screws
1	Instruction sheet

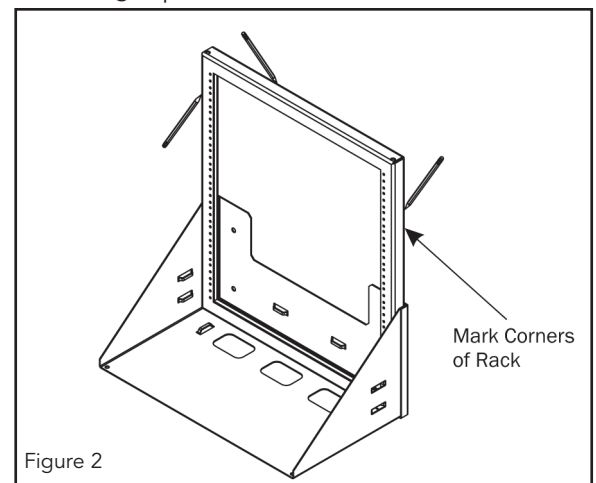
## 4. Instructions

- 4.1 Mount bottom wall support bracket, ensuring that there is sufficient space for height of rack to be installed (see Figure 1). Use level, if available, to ensure level positioning of bracket.

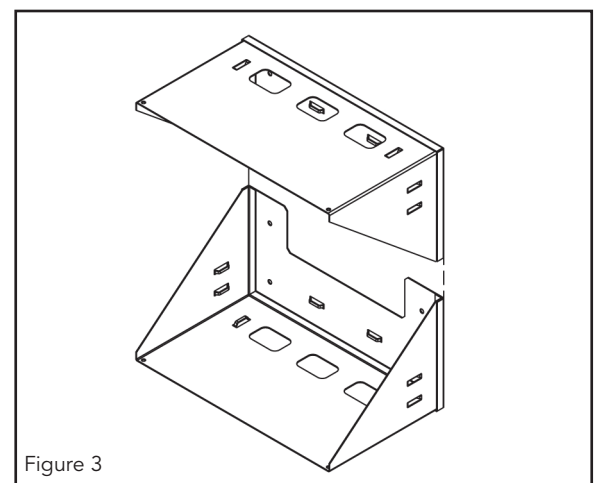


- 4.2 Wall support brackets are identical, so either can be used for the bottom bracket. Mounting holes are spaced 16" apart to allow for wall stud mounting, if desired. Installer MUST ensure that wall or board on which swing rack is to be mounted will support weight of rack and equipment to be mounted in rack.

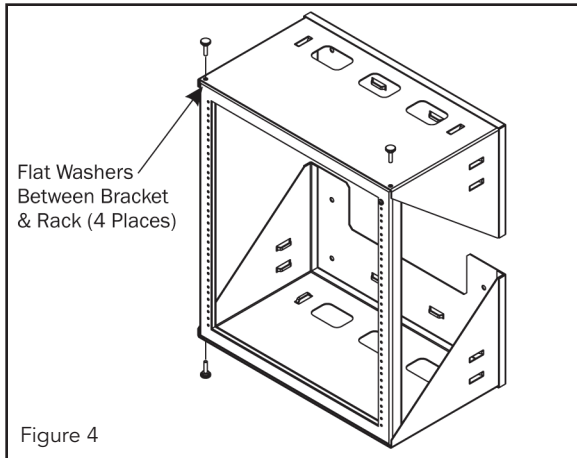
- 4.3 Use rack frame as jig to mark mounting location of top bracket by nesting frame against wall inside bottom bracket. Mark wall along top and sides of corners of frame (see Figure 2). Remove rack frame from bottom bracket before mounting top bracket.



- 4.4 Position top bracket along horizontal line drawn above rack frame. Center top bracket over vertical lines drawn along sides of frame. While holding bracket in position, mark location of mounting holes on wall (see Figure 3). It is important to install top bracket so rack frame fits snugly in place.



- 4.5 Holding rack frame in place between support brackets, fit thumbscrews through support brackets into corners of rack frame (see Figure 4).



- 4.6 Be sure to insert flat washers between support brackets and rack frame before tightening thumbscrews.

