

Description

The FX front display module is a bracket-mounted competitive drop-in replacement front interface module coupled with the BIX low/medium power PC and Mini-ITX board.

All FX-BIX Integrated industrial panel "brick" PCs are designed for quick installation and service.



Key Features

- Rugged modular steel construction built to order
- Small and compact computer system for most industrial environments
- Configured in models with 0 or 1 PCI Slots

Specifications



| FX MONITOR DISPLAY | | |
|--------------------|---|----------------------------|
| SPECS | FX10 | FX12 |
| Display Size | 10.4" TFT LCD | 12.1" TFT LCD |
| Resolution | SVGA 800 x 600 | SVGA 800 x 600 |
| Viewing Angle | H: -40°/+60°, V: -60°/+60° | H: -70°/+70°, V: -60°/+50° |
| Contrast Ratio | 500:1 | 500:1 |
| Brightness | 400 nits | 400 nits |
| Bulb Life | CCFT Back Life estimated to be about 50,000 hours | |
| Interface Lens | 5-Wire analog resistive touch sensor OR Protective lexan lens | |
| Mounting Bezel | NEMA 4 Powder coated aluminum OR NEMA 4X stainless steel | |
| Warranty | 24 Month Limited Warranty. Extended warranty available, contact us for more details | |

| BIX CHASSIS MODULE | | |
|--------------------|---|-------------|
| SPECS | BIX0 | BIX1 |
| Expansion Slots | 0 PCI Slots | 1 PCI Slots |
| System | Mini-ITX Intel GM45: Up to 4Gb DDR2, 1xPCI, 4xUSB, 5x RS232, 2x Ethernet, 1x PS/2, DVI, VGA, HDMI Mini-ITX Intel Atom: 2x Ethernet Intel 1 Gb Ports, 4x USB 2.0, 2x RS232, Audio I/O | |
| CPU | Core 2 Duo Mobil, Core Solo Mobile, Core Duo Mobile, Atom | |
| Operating System | Windows XP Pro, Windows XP Embedded, Windows 2000, Windows Vista, Windows 7, ROMDOS | |
| Memory | 1.0Gb to 2Gb DDR or DDR2 | |
| Storage Drives | 2.5" SATA or PATA Hard Drives / 2.5" Solid State Drives / Industrial Compact Flash Cards | |
| Media Drives | Slim DVD/DVD-RW/CD/CD-RW (Mounting depth is increased 0.60" with rear mounted thin CD/DVD Drive *) | |
| Power Supply | 1U 120~240 VAC Power Supply or Open Frame Fanless 24VDC Power Supply | |
| Temperature | 0°~50°C (32°~122°F) Operating / -25°~60°C (-4°~140°F) Non-Operating | |
| Relative Humidity | 10% ~ 95% Non-Condensing | |
| Shock | 10G Operating / 15G Non-Operating | |
| Vibration | 1.0G from 57-2000 Hz Operating / 2.5G from 57-2000 Hz Non-Operating | |
| Warranty | 24 Month Limited Warranty. Extended Warranty Available, Contact Us For More Details | |

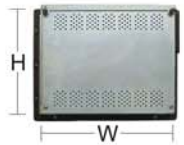
* Rear mounting increases only for BIX0 and BIX1

Dimensions



DISPLAY FRONT DIMENSIONS

| | FX10 | FX12 |
|--------|-------|-------|
| Height | 9.8" | 11.0" |
| Width | 13.2" | 13.8" |



PANEL CUTOUT DIMENSIONS

| | FX10 | FX12 |
|--------|-------|-------|
| Height | 8.8" | 10.0" |
| Width | 12.1" | 12.8" |

MOUNTING DEPTH DIMENSIONS

| | FX10 | FX12 |
|------|-------|------|
| BIX0 | 4.65" | |
| BIX1 | 6.97" | |

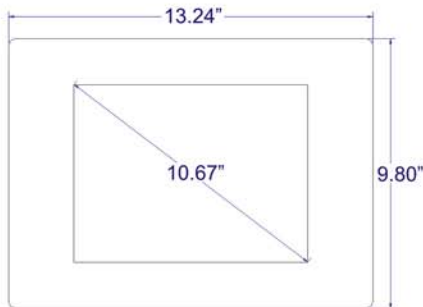
* CD/DVD rear mounting increases by 0.60" only for BIX0 & BIX1

WORKSTATION WEIGHTS

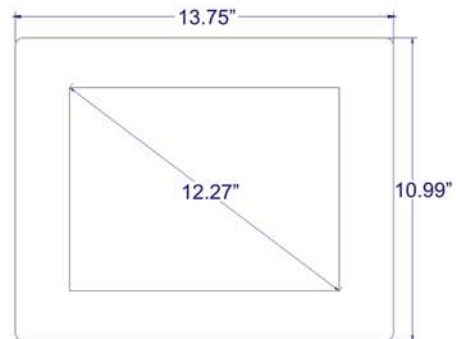
| | FX10 | FX12 |
|------|-----------|-----------|
| BIX0 | 15.10 lbs | 16.45 lbs |
| BIX1 | 17.70 lbs | 18.95 lbs |

Mechanical Drawing

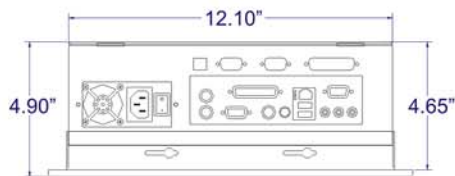
FX 10



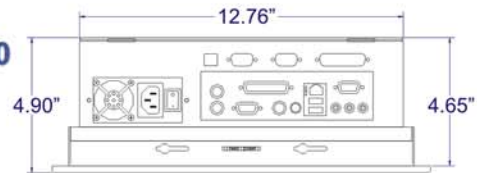
FX 12



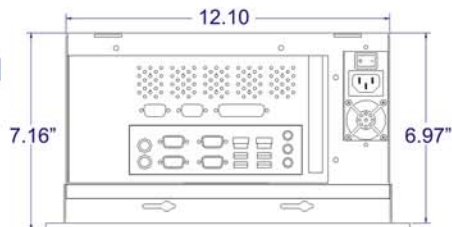
FX10-BIX0



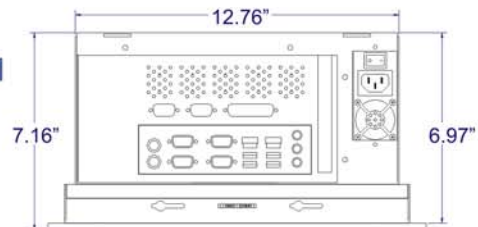
FX12-BIX0



FX10-BIX1



FX12-BIX1



All measurements are in inches and pounds, unless noted. Picture and drawings are not to scale.

Estimated weight may change depending on additional options.

Dynics reserves the right to change, modify, upgrade or discontinue to its discretion any part of this datasheet without any prior notice.

For more information email us at: sales@dynics.com

Visit us online at:

www.dynics.com

DYNICS

4330 Varsity Drive, Ann Arbor, MI 48108
Ph. 734.677.6100 • Fax: 734-677-6105

