

## Model: rdcFOms

### Single Mode to Multi-mode Fiber Optics Converter

The converter provides transparent conversion between fiber optic devices utilizing multi-mode fiber and those with single mode fiber. Single mode fiber can transmit data over much longer distance than multi-mode fiber. Single mode is ideal for longer "metropolitan distances" and multi-mode is well suited to short premises installation.

Single mode fiber accomplishes the distance by confining the transmitted power to a single optical mode which propagates down the center axis of the fiber. The converter regenerates signal strength and is mainly used to exceed the distance for multi-mode fiber.

Industrial design, small size, DIN rail mount, user indication, and wide range DC supply make the rdcFos-Fom converter a very engineer-friendly device for your industrial data communication system.

## Specification

### Fiber Optic

**Interface** : Multi-mode 820nm full duplex  
: Single mode 1310nm full duplex

**Connectors** : Multi-mode ST(bayonet)  
: Single mode ST(bayonet)

**Loss Budget** : 17dB max @1310nm on 9/125um cable  
: 13dB max @820nm on 62.5/125um cable

### Power Supply

9v to 36v DC : 2.5w normal operation  
5v DC +/- 5% : 350mA normal operation  
User Indications : Green LED for each power supply

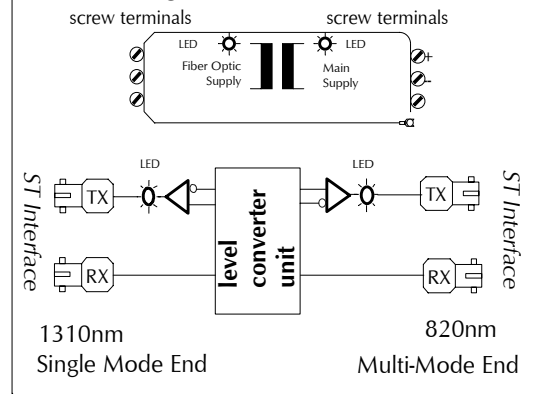
### Communication

Max Speed : Up to 2.5Mbps at standard distances  
Character Setting : transparent, no configuration required  
User Indications : Both Txd have LED (yellow) indications  
Practical Distance : Multi-mode 4km, Single mode 11km

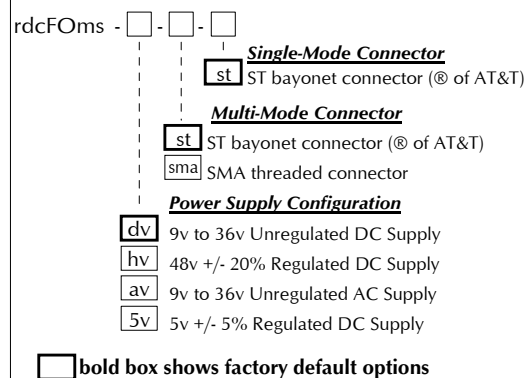
### Mechanical / Environment

Operating Range : -40C to +65C  
Storage Range : -40C to +100C  
Relative Humidity : 10 to 90% RH, non-condensing  
Case Material : nylon polymide, fungus and termite resistant self-extinguishing  
Weight : approx 130g  
Mounting Rail : DIN EN 50 022 or DIN EN 50 035

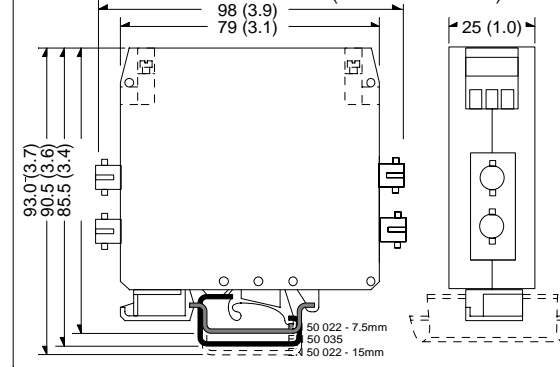
### Block Diagram



### Order Information



### Dimensions in mm (and inches)



[www.robustdc.com](http://www.robustdc.com)

Copyright © 2003 RDC

Specifications subject to change without notice.

