



Model: rdc422ir

Isolated RS-422 Repeater

The rdc422ir safely connects two RS-422 devices without danger of ground loops and damaging surges. It also doubles the permitted cable length. The data signals have 2.5kV optical isolation. Internally isolated DC supply provides 2-port galvanic isolation, or full 3-port can be ordered so both RS-422 signals float with respect to the power supply ground. Jumpers allow either 100Ω or 220Ω internal terminating resistor.

Other options: 600w transient (spike) suppressor diodes; 9-pin D-sub shell or removable 5-pin compression terminal block; DC supply of 5, 12, or 24v; 2 or 3-port galvanic isolation; custom terminating resistor values.

Isolation, industrial design, small size, DIN rail mount, user indication, and DC supply make the rdc422ir a very engineer-friendly device for your industrial data communication system.

Specification

RS-422 ports

Signal Type : EIA/RS-422A, EIA/RS-485A
 Supply to field : 2500 v (galvanic, 3kV test)
 Supply to local : 2-port = none ; 3-port = 500v

Power Supply

9v to 36v DC, 1.5 W (65 mA at 24v)
 5v DC +/- 5%, 150 mA
 LEDs (green) indicate isolated power status

Communication

Max Speed : at least 115Kbps over standard distance
 Character Setting : transparent, no configuration required
 User Indications : Each receive signal has LED (yellow)
 Standard Distance: 1000m for EIA/RS-422
 Practical Distance : less than 3000m for RS-422 (requires quality, low-cap cable)

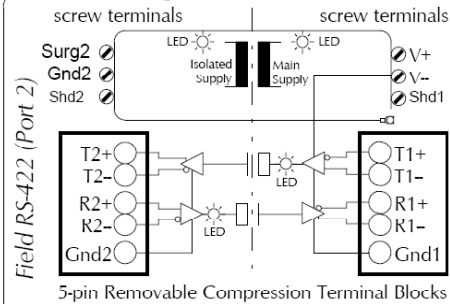
Mechanical / Environment

Operating Range : 0C to +60C
 Storage Range : -40C to +100C
 Relative Humidity : 10 to 90% RH, non-condensing
 Terminals : wire up to 2.5mm (12 AWG)
 D-shell connector : 9-pin, 30μ gold pins/sockets rated 500 cycles
 Case Material : nylon polyamide, fungus and termite resistant self-extinguishing
 Weight : approx 130g
 Mounting Rail : DIN EN 50 022 or DIN EN 50 035

Copyright © 2006 Robust DataComm Pte Ltd
 (Version 1.0) Specifications subject to change without notice.

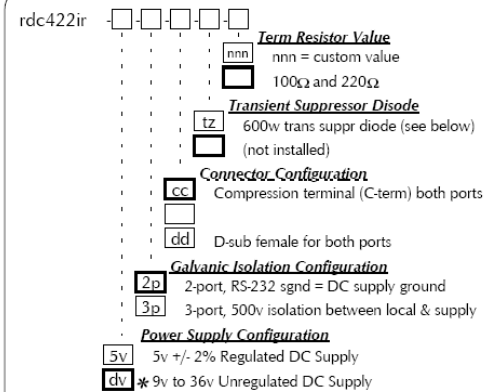
Isolated RS-422 Repeater

Block Diagram

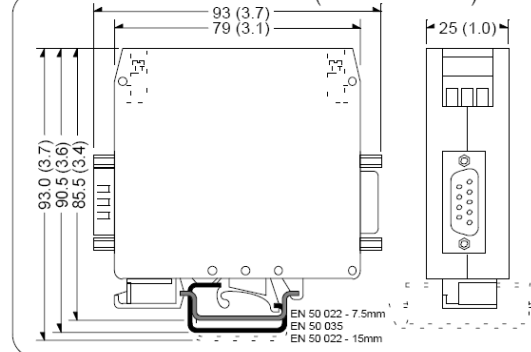


Note: When ordered connector type is configurable
 Note: When ordered field RS-422 can be protected by 600w transient voltage suppressor diodes

Order Information



Dimensions in mm (and inches)



www.robustdc.com

