



BAT-ANT-TNC-B-D-085-02

Industrial Networking:Industrial Ethernet:Wireless LAN:Accessories:Antenna

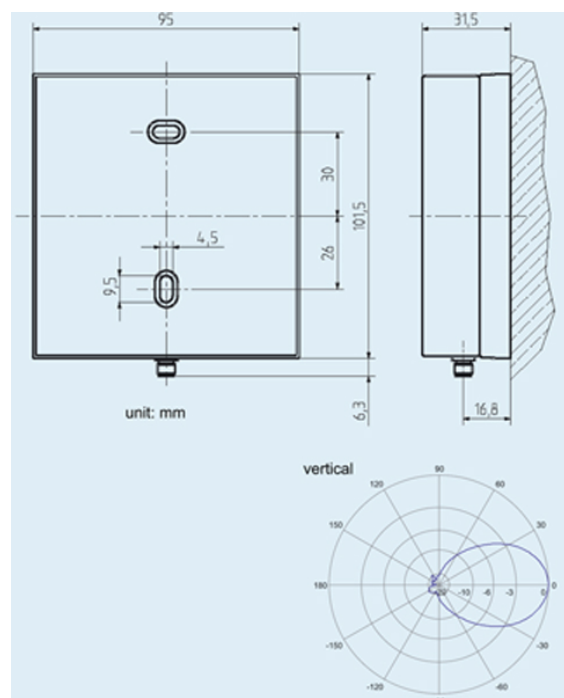
Product description

Description	Directional Antenna linear for 2,4 GHz
Type	BAT-ANT-TNC-B-D-085-02
Order No.	943 903-411

Radio technology

Frequency band	2300 MHz - 2500 MHz
Polarisation	Linear, vertical
Elevation, Azimuth	3 dB beam width 60°/75°
VSWR	1,5
Gain	8,5 dBi
Antenna connector	TNC female

Drawing



Ambient conditions

Operating temperature	-40 °C to +80 °C
Wind load	15 N at 160 km/h

Mechanical construction

Dimensions (W x H x D)	101 mm x 95 mm x 32 mm
Mounting	Wall
Protection class	IP55
Material	ASA

Weight 0,11 kg

Scope of delivery and accessories

Scope of delivery Antenna with installation material